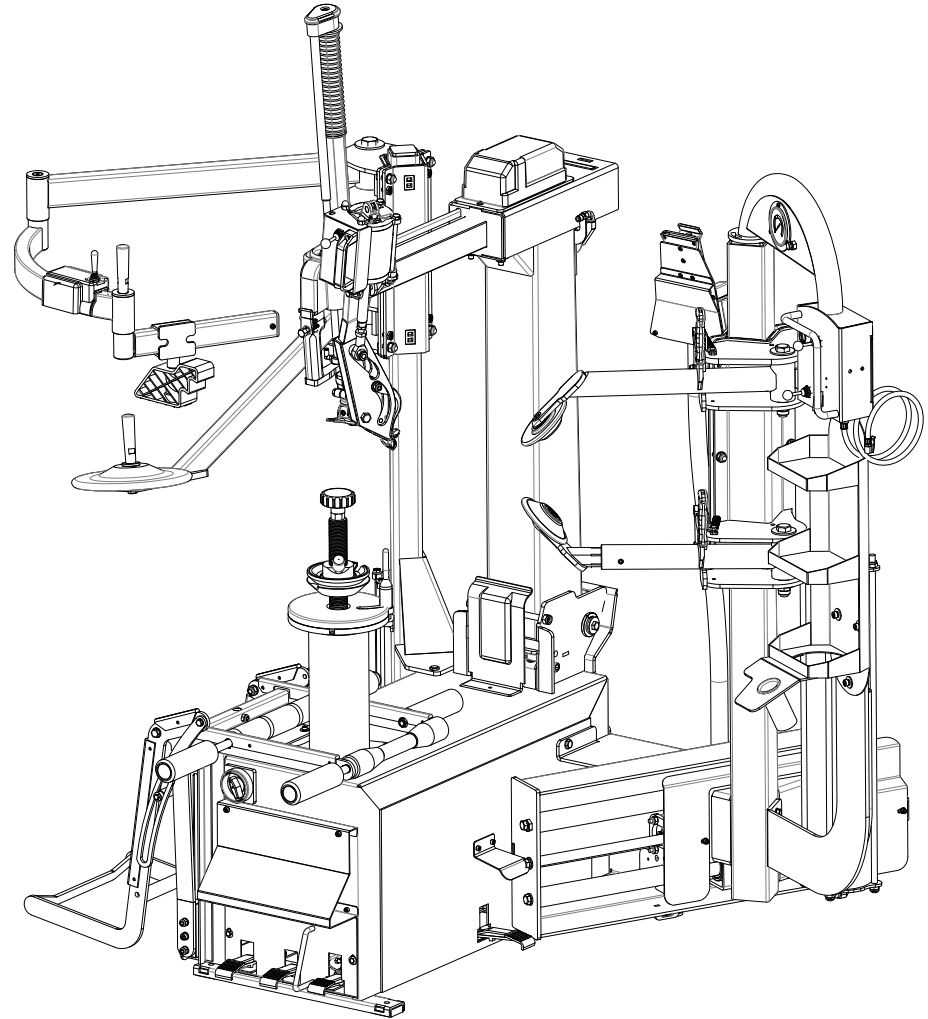
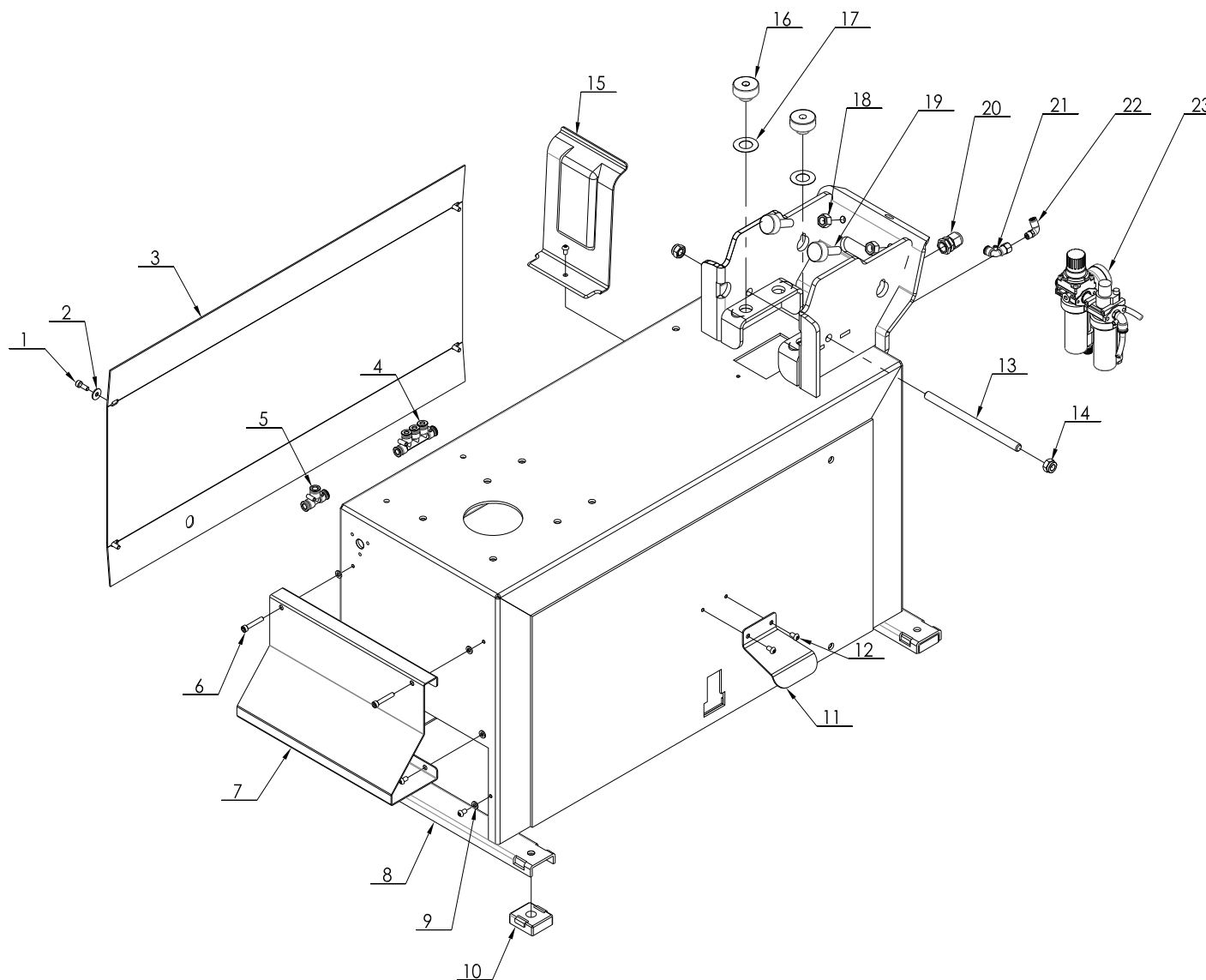


ED. 08/2014



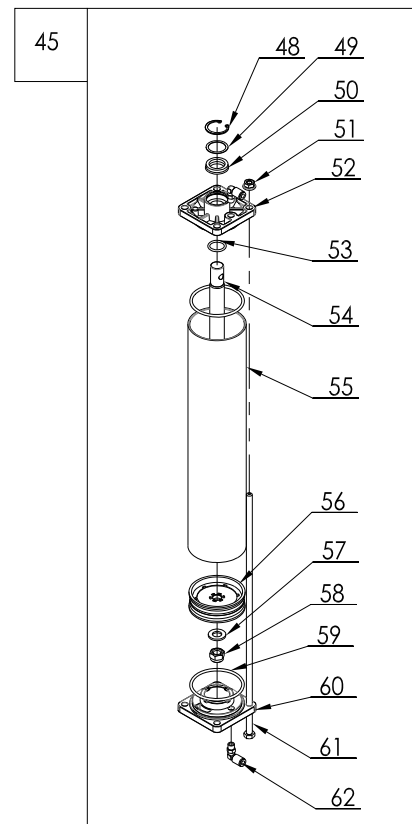
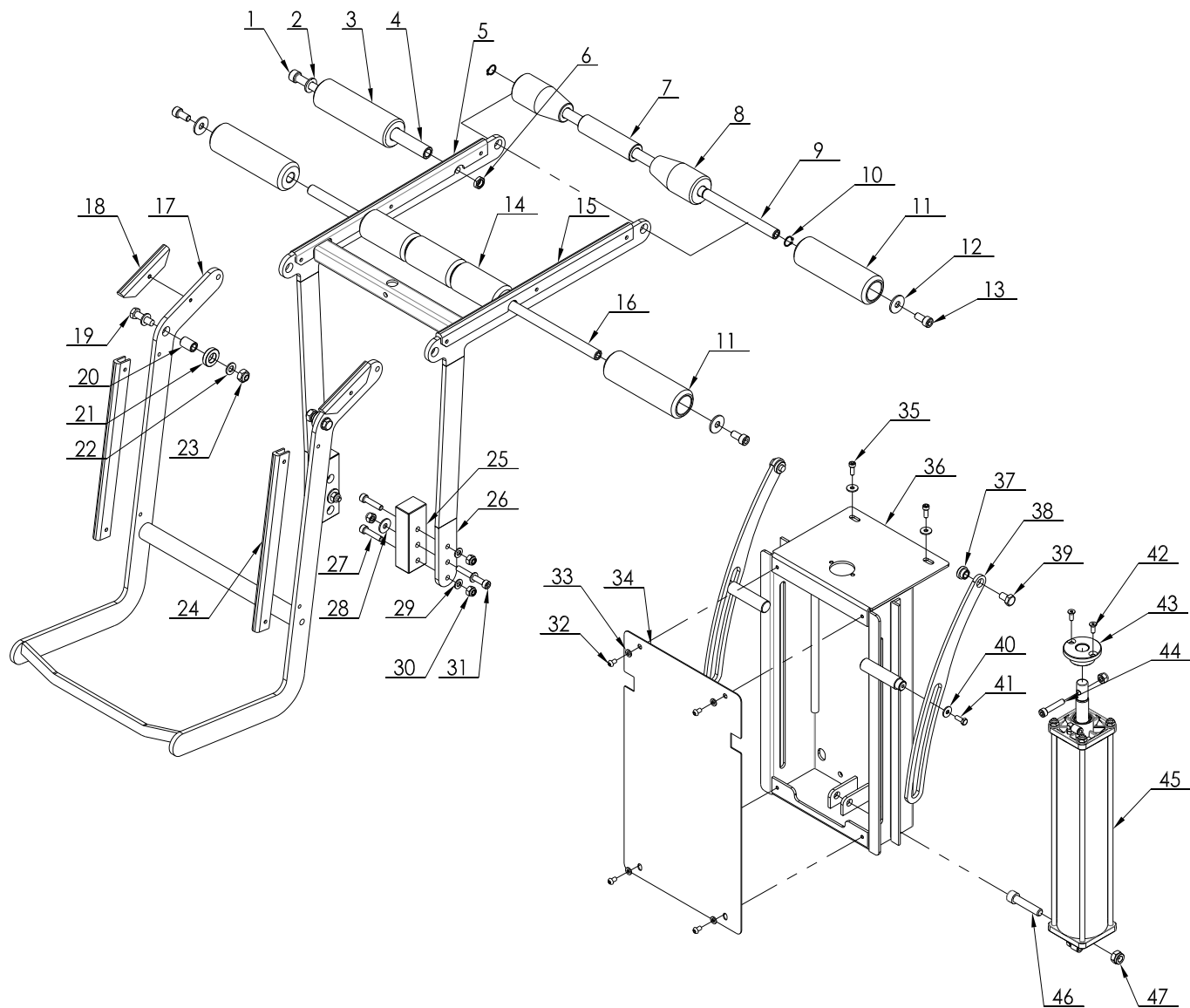
PART CATALOGUE
TC-255
LEVERLESS TIRE
CHANGER





TAV.1.0	BODY	ED. 08/14
---------	------	-----------

ITEM	PART NUMBER	DESCRIPTION	QTY	REMARK
1	0202032	Screw M6X16 - GB/T70.1	4	
2	0205007	Washer D.6 - GB/T96	4	
3	C33A300001	Side cover	1	
4	0306028	Five way quick union 8-6	1	
5	0306022	Tee quick union 8	1	
6	0202027	Screw M6X35 - GB/T70.1	2	
7	C33A000003	Front panel	1	
8	C33A101000	Shell	1	
9	0205006	Washer D.6 - GB/T97.1	6	
10	YC1-3002099	Plastic foot	4	
11	C33A000004	GT pedal protection	1	
12	0206050	Screw M6X10 - GB/T70.2	7	
13	YC3-3013001	Stud	1	
14	0204007	Self-locking nut M12 - GB/T889.1	2	
15	YC2-3012450	ABS cover	1	
16	C33A200001	Protection	2	
17	C33A200007	Spacer	2	
18	0203013	Nut M12 - GB52	2	
19	C22A030001	Protection	2	
20	0507115	Cable holder M18	1	
21	0306038	90 degree quick union female 6-1/8	1	
22	0306139	90 degree union 4-1/8	1	
23	YC2-3012326-3	Lubricator + filter regulator GT	1	



TAV.2.0

WHEEL LIFT

ED. 08/14

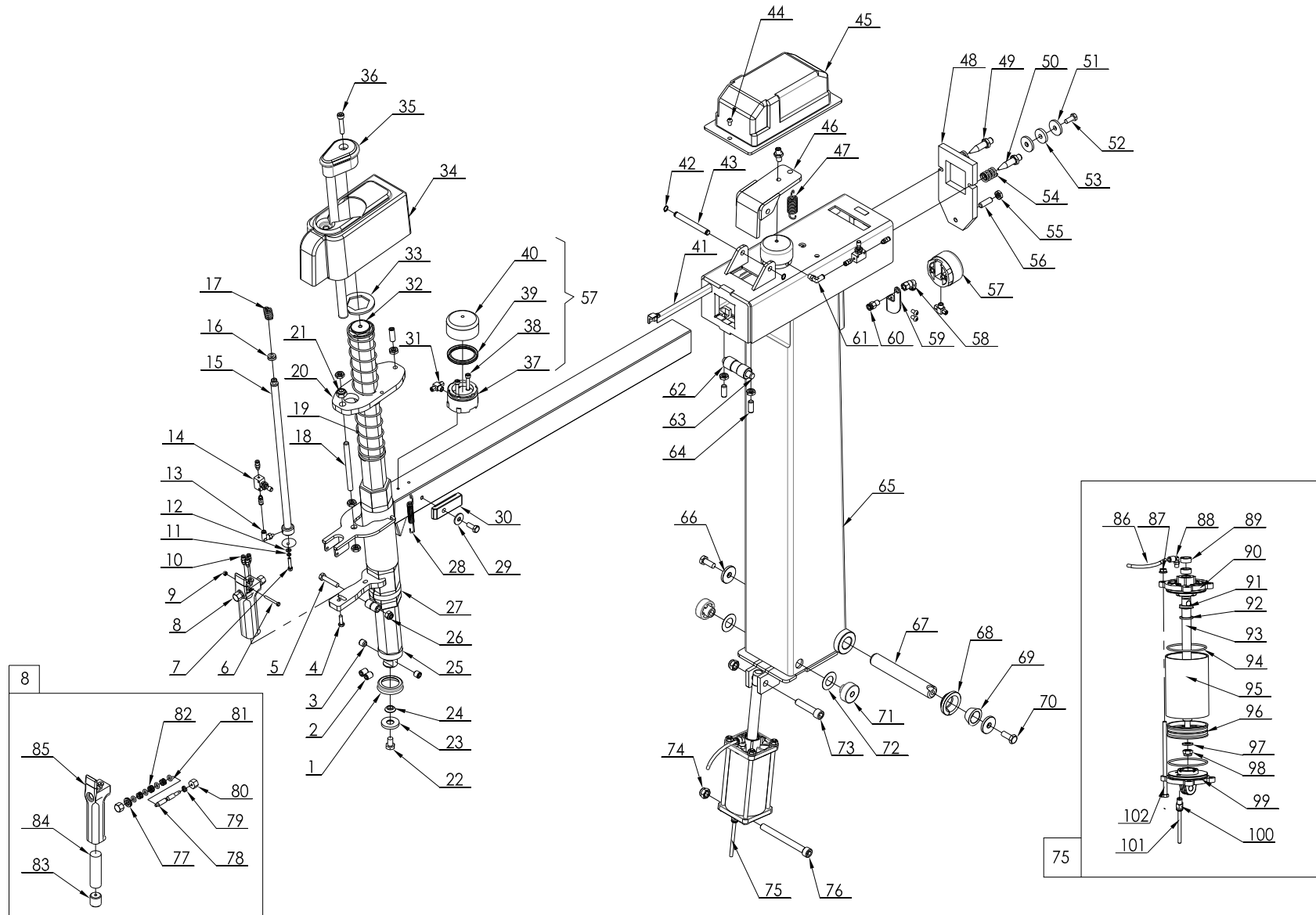
ITEM	PART NUMBER	DESCRIPTION	QTY	REMARK
1	0202089	Screw M12X140 - GB/T70.1/	1	
2	0205013	Washer D.12 - GB/T97.1	1	
3	C33A700003	Roller 3	1	
4	C33A700009	Bush	1	
5	C33A700017	Left guide	1	
6	0204016	Nut M12 - GB/T6172.1	1	
7	C33A700008	Spacer	1	
8	C33A700004	Roller 4	2	
9	C33A700006	Roller shaft 2	1	
10	0212002	Seeger D.16	2	
11	C33A700002	Roller 2	3	
12	0205010	Washer D.10 - GB/T96	3	
13	0202056	Screw M10X16 - GB/T70.1	3	
14	C33A700001	Roller 1	3	
15	C33A700019	Right guide	1	
16	C33A700005	Roller shaft 1	1	
17	C33A730000	Wheel support	1	
18	C33A700016	Short guide	2	
19	0201050	Screw M10X35 - GB/T5783	2	
20	C33A700018	Bush	2	
21	C33A700015	Spacer	2	
22	0205011	Washer D.10 - GB/T97.1	4	
23	0204005	Self-locking nut M10 - GB/T889.1	2	
24	C33A700013	Guide	2	
25	C33A700012	Slider	2	
26	C33A720000	Support bracket	1	
27	0202041	Screw M8X35 - GB/T70.1	4	

TAV.2.0	WHEEL LIFT	ED. 08/14
---------	------------	-----------

28	0205009	Washer D.8 - GB/T96	1
29	0205008	Washer D.8 - GB/T97.1	6
30	0204004	Self-locking nut M8 - GB/T889.1	1
31	0202050	Screw M8X60 - GB/T70.1	1
32	0206050	Screw M6X10 - GB/T70.2	1
33	0205006	Washer D.6 - GB/T97.1	1
34	C33A700014	Side cover	1
35	0202032	Screw M6X16 - GB/T70.1	2
36	C33A710000	Lift frame	4
37	C33A700011	Bush	1
38	C33A700010	Lift linkage	2
39	0201062	Screw M10X20 - GB/T5783	2
40	0205007	Washer D. 6 - GB/T96	4
41	0201024	Screw M6X12 - GB/T70.1	2
42	0207024	Screw M6X16 - GB/T70.3	2
43	C33A700007	Sliding bush	1
44	0202042	Screw M8X40 - GB/T70.1	1
45	C00AQ34000	Lift cylinder unit	1
46	YC2-3000599	Pin	1
47	0204007	Self-locking nut M12 - GB/T889.1	1
48	0211004	Seeger D.30 - GB/T893.1	1
49	YC1-4398146	Washer	1
50	0206016	Seal 20X30X7	1
51	0204025	Nut M8 - GB/T6177.1	4
52	YC1-3015024	Cylinder flange	1
53	0606004	O-ring 20X2.75	1
54	C00AQ34003	Cylinder shaft	1

TAV.2.0	WHEEL LIFT	ED. 08/14
---------	------------	-----------

55	C00AQ34001	Cylinder liner	1
56	YC1-4198856	Piston	1
57	0205013	Washer D.12 - GB/T97.1	1
58	0204007	Self-locking nut M12 - GB/T889.1	1
59	0606007	O-ring 75X3.55	2
60	YC1-3015023	Cylinder back flange	1
61	C00AQ34002	Stud	4
62	0306138	90 degree quick union 6-1/8	2



TAV.3.0	HORIZ. AND VERT. ARMS	ED. 08/14
---------	-----------------------	-----------

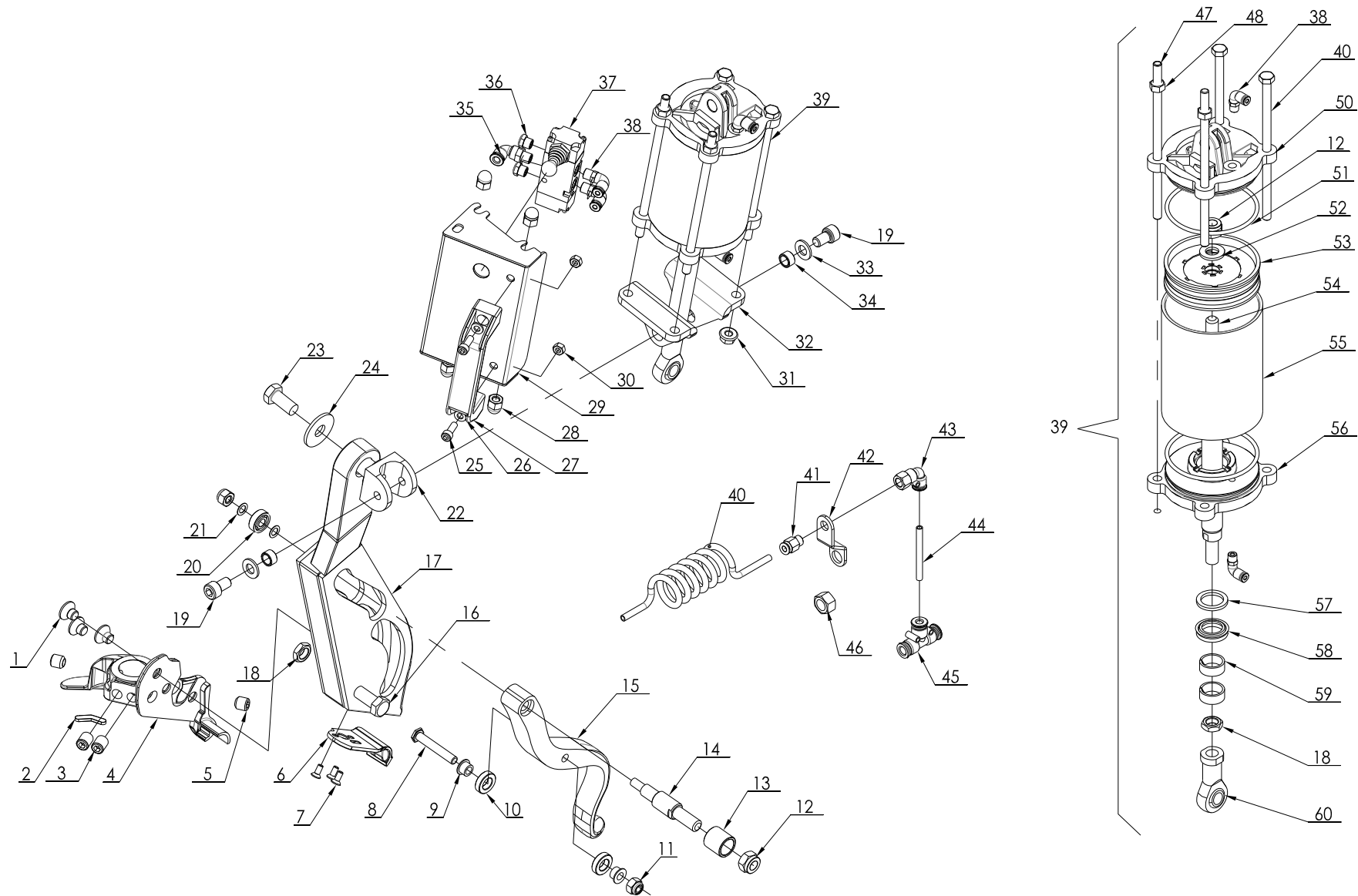
ITEM	PART NUMBER	DESCRIPTION	QTY	REMARK
1	YC1-3002602	Protection	1	
2	0209015	Screw M12X16 - GB/T80	2	
3	0209020	Screw M12X12 - GB/T80	2	
4	0201014	Screw M6X20 - GB/T5783	1	
5	0201037	Screw M8X40 - GB/T5782	1	
6	0201003	Screw M4X35 - GB/T5781	1	
7	0202096	Screw M5X25 - GB/T70.1	1	
8	YC2-2008335	Arm control valve	1	
9	0204001	Self-locking nut M4 - GB/T889.1	1	
10	0306151	Quick union 4-M5	7	
11	0208003	Locking washer D.5 - GB/T93	1	
12	0205004	Washer D.5 - GB/T97.1	1	
13	0306166	90 degree quick union 4-M5	1	
14	0307053	Flow regulator	2	
15	C00AQ33200	Arm cylinder	1	
16	YC2-4298812	Seal	1	
17	YC2-3002629	Spring	1	
18	YC2-3012459	Screw	1	
19	YC1-3005407	Spring 1	1	
20	YC2-3006106	Arm locking plate	1	
21	0204005	Self-locking nut M10 - GB/T889.1	1	
22	0201059	Screw M10X16 - GB/T5783	1	
23	YC1-4295804	Conical washer	1	
24	YC1-4295805	Spherical washer	1	
25	YC1-3002601	Shock absorber	1	
26	0204004	Self-locking nut M8 - GB/T889.1	1	
27	C33A202100	Horizontal arm	1	

28	YC2-3002273	Spring	2
29	0205009	Washer D.8 - GB/T96	1
30	YC2-3007935	Limit block	1
31	0306063	Tee rotation union 4-1/8	2
32	C33A202001	Hexagonal arm	1
33	C33A200006	Spring washer	1
34	YC2-3015860	Arm frame	1
35	C00AQ33100	Cylinder liner	1
36	0202042	Screw M8X40 - GB/T70.1	1
37	YC2-4299523	Piston	1
38	0202027	Screw M6X35 - GB/T70.1	2
39	YC2-4299522	Seal	1
40	YC2-4299524	Locking cylinder liner	1
41	C33A200003	Guide	1
42	0212013	Seeger D.10 - GB/T894.1	2
43	C33A200004	Pin	1
44	0206050	Screw M6X10 - GB/T70.2	3
45	C33A000002	Cylinder protection	1
46	C33A200200	Locking cylinder support	1
47	YC2-3000141	Spring	1
48	C33A000005	Arm locking plate	1
49	0204016	Nut M12 - GB/T6172.1	2
50	YC2-3015677	Adjustment screw	2
51	YC2-4399947	Washer	2
52	0201042	Screw M8X20 - GB/T5783	2
53	YC2-3000181	Washer	1
54	YC3-3005408	Spring	2

55	0204012	Nut M10 - GB/T6172.1	8
56	0209022	Screw M10X30 - GB/T77	3
57	YC2-2099665	Locking cylinder unit	2
58	0306038	90 degree quick union female 6-1/8	1
59	C33A200008	Support	1
60	0306141	Quick union 6-1/8	1
61	0306139	90 degree quick union 4-1/8	1
62	C33A200009	Roller	1
63	0213102	Pin 12X80 - GB/T119.2	1
64	0209024	Screw M10X25 - GB/T77	2
65	C33A201000	Vertical post	1
66	YC2-3000495	Washer	1
67	YC3-3015668	Pivot pin	1
68	C33A000005	Pin washer	2
69	C33A000006	Conical bush	2
70	0201064	Screw M10X25 - GB/T5783	2
71	C33A200001	Protection	2
72	C33A200007	Steel shim	2
73	YC2-3000599	Pin	1
74	0204007	Self-locking nut M12 - GB/T889.1	2
75	C00AQ35000	Tilting cylinder unit	1
76	0202089	Screw M12X140 - GB/T70.1	1
77	YC2-3007645	Valve cap	1
78	YC2-3007644	Valve pin	1
79	YC2-3007646	Locking ring	1
80	YC2-3012721	Aluminum nut	2
81	0309075	O-ring 7.5X2.65	4

TAV.3.0	HORIZ. AND VERT. ARMS	ED. 08/14
---------	-----------------------	-----------

82	YC2-3007647	Valve spacer	3
83	YC2-3013355	Valve bottom plug	1
84		Fabric insert	1
85	YC2-3012487	Control valve body	1
86	0306095	Rilsan hose 6X4 L=1000 black	1
87	0204025	Nut M8 - GB/T6177.1	4
88	0306036	90 degree quick union 6-1/8	1
89	0305041	Guiding ring 9.5X2	1
90	C00AQ35002	Cylinder flange	1
91	C00AQ35009	Seal 20X30X7	1
92	C00AQ35008	Washer	1
93	C00AQ36003	Cylinder shaft	1
94	0609076	O-ring 90X3.55	2
95	C00AQ36001	Tilting cylinder liner	1
96	C00AQ35003	Piston	1
97	0205013	Washer D.12 - GB/T97.1	1
98	0204007	Self-locking nut M12 - GB/T889.1	1
99	C00AQ35001	Cylinder back flange	1
100	0306046	Quick union 6-1/8	1
101	0306095	Rilsan hose 6X4 L=1000 black	1
102	C00AQ36002	Stud	4



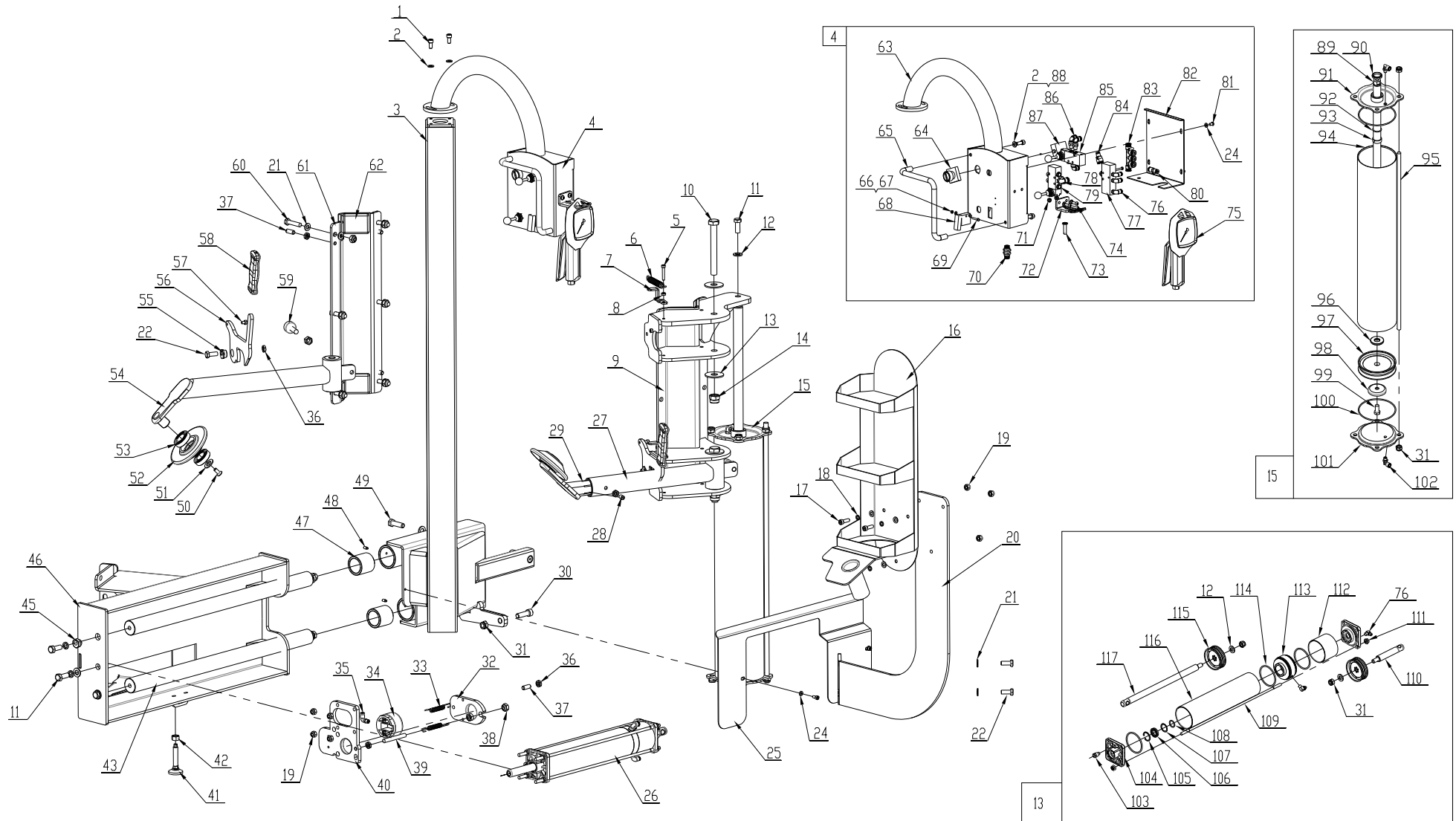
TAV.4.0	LEVERLESS MOUNTING TOOL	ED. 08/14
---------	-------------------------	-----------

ITEM	PART NUMBER	DESCRIPTION	QTY	REMARK
1	0207066	Screw M10X12 - GB70.3	3	
2	YC1-3013650	Rim protection 1	1	
3	0209015	Screw M12X16 - GB/T80	2	
4	C01C700001	Mounting tool	1	
5	0209020	Screw M12X12 - GB/T80	2	
6	C01C700006	Rim protection 2	1	
7	0207062	Screw M5X12 - GB/T70.3	3	
8	C01C700005	Screw M8X50	1	
9	C01C700014	Inner bush	2	
10	C01C700015	Outer bush	2	
11	0204004	Self-locking nut M8 - GB/T889.1	2	
12	0204007	Self-locking nut M12 - GB/T889.1	2	
13	C01C700002	Roller	1	
14	C01C700004	Thread shaft	1	
15	C01C700003	Mounting hook	1	
16	0201157	Screw M12X50	1	
17	C01C700100	Hook guiding frame	1	
18	0204016	Nut M12 - GB/T6172.1	2	
19	0202056	Screw M10X16	2	
20	0214043	Bearing 608R3	1	
21	C01C700007	Washer D.8	2	
22	C01C700010	Hinge	1	
23	0201078	Screw M12X25 - GB/T5783	1	
24	0205014	Washer D.12 - GB/T96	1	
25	0202032	Screw M6X16 - GB/T70.1	2	
26	0205006	Washer D.6 - GB/T97.1	2	
27	YCH-4297851	Handle	1	

28	0204056	Acorn nut M8 - GB/T923	4
29	C01C700300	Tool cover	1
30	0203004	Nut M6 - GB/T52	2
31	0204025	Flange nut M8	2
32	C01C700009	Cylinder support	2
33	0205011	Washer D.10 - GB/T97.1	2
34	C01C700008	Bush	2
35	0306036	90 degree quick union 6-1/8	1
36	0306087	Silencer 1/8	2
37	0306254	Control valve 1/8	1
38	0306035	90 degree quick union 4-1/8	4
39	C00AQ35000	Mounting hook cylinder unit	1
40	0306101	Spiral rilsan hose 6X4 L=20 coils blue	1
41	0306046	Quick union 6-1/8	1
42	C01C700012	Union support	1
43	0306038	90 degree quick union 6-1/8 female	1
44	0306095	Rilsan hose 6X4 L=1500	1
45	0306132	Tee quick reducer union 8-6	1
46	0203013	Nut M12 - GB52	1
47	C00AQ35007	Stud	2
48	0203008	Nut M18 - GB52	2
49	YC2-3008085	Special screw	2
50	C00AQ35001	Cylinder back flange	1
51	0606007	O-ring 75X3.55	2
52	0205013	Washer D.12 - GB/T97.1/12	1
53	C00AQ35003	Piston	1
54	C00AQ35004	Cylinder shaft	1

TAV.4.0	LEVERLESS MOUNTING TOOL	ED. 08/14
---------	-------------------------	-----------

55	C00AQ35006	Cylinder liner	1
56	C00AQ35002	Cylinder flange	1
57	C00AQ35008	Spacer	1
58	C00AQ35009	Seal 20X30X7	1
59	0305041	Guiding ring 9.5X2	2
60	0214044	Knuckle bearing	1



TAV.5.0	BEAD BREAKER ARMS	ED. 08/14
---------	-------------------	-----------

ITEM	PART NUMBER	DESCRIPTION	QTY	REMARK
1	0202040	Screw M8X16 - GB/T70.1	2	
2	0205008	Washer D.8 - GB/T97.1	7	
3	C33B300300	Arm post	1	
4	C33B350000	Pneumatic unit	1	
5	0202027	Screw M6X35 - GB/T70.1	2	
6	YC1-3013333	Spring	2	
7	C33B300012	Spring limiter	2	
8	0203004	Nut M6 - GB52	4	
9	C33B300200	Arm carriage	1	
10	0201187	Screw M16X140 - GB/T5782	2	
11	0202061	Screw M12X30 - GB/T5783	6	
12	0205013	Washer D.12 - GB/T97.1	7	
13	0205019	Washer D.16 - GB/T96	4	
14	0204008	Self-locking nut M16 - GB/T889.1	2	
15	C00AQ32000	Bead breaking cylinder unit 125X25X600	1	
16	C33A330100	Tool tray	1	
17	0202047	Screw M8X25 - G B/T70.1	3	
18	0208006	Locking washer D.8 - GB/T93	3	
19	0204004	Self-locking nut M8 - GB/T889.1	7	
20	C33A330200	Tool tray support	1	
21	0205011	Washer D.10 - GB/T97.1	14	
22	0201064	Screw M10X20 - GB /T5783	4	
23	0202024	Screw M6X12 - GB/T70.1	4	
24	0205006	Washer D.6 - GB/T97.1	8	
25	C33B300011	Protection cover	1	
26	C00AQ31000	Double effect cylinder unit	1	
27	C33B300800	Lower bead breaking disk arm	1	

TAV.5.0	BEAD BREAKER ARMS	ED. 08/14
---------	-------------------	-----------

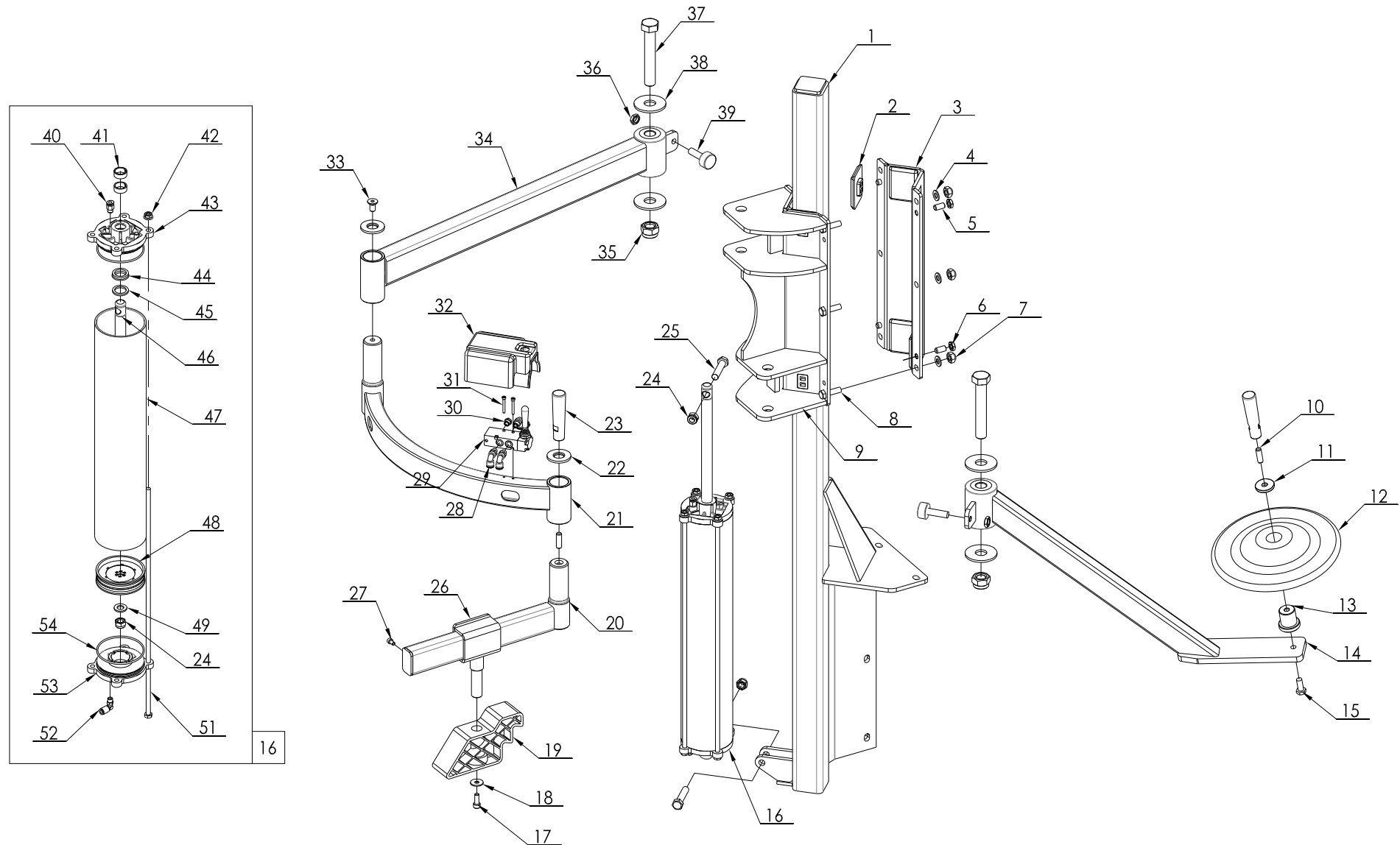
28	0209011	Screw M10X16 - GB/T80	1
29	C33B300900	Lower disk support	1
30	0202076	Screw M12X40 - GB/T70.1	1
31	0204007	Self-locking nut M12 - GB/T889.1	11
32	C33B300002	Arm locking plate	1
33	C33B300007	Spring	2
34	YC2-2099665	Locking cylinder unit	1
35	0306035	90 degree quick union 4-1/8	1
36	0204012	Nut M10 - GB/T6172.1	9
37	0209022	Screw M10X30 - GB/T77	5
38	0204005	Self-locking nut M10 - GB/T889.1	8
39	0213042	Stud M10X80 - GB/T15389	1
40	C33B300003	Cylinder support	1
41	0466194	Hinge foot	1
42	0203013	Nut M12 - GB52	3
43	C33B300001	Guiding shaft	2
44	0208009	Locking washer D.12 - GB/T93	5
45	C33B300013	Eccentric bush	2
46	C33B300100	Shaft guiding frame	1
47	C33B300008	Bush	4
48	0209002	Screw M6X10 - GB/T79	4
49	C33B300009	Screw M12X40	1
50	0207036	Screw M8X20 - GB/T70.3	2
51	0205017	Washer D.14 - GB/T97.1	2
52	C33A310004	Bead breaking disk	2
53	0214045	Bearing 6005-2Z	4
54	C33B300700	Upper bead breaking disk arm	1

55	C33B300006	Eccentric bush	2
56	C33B300004	Arm locking hook	2
57	0202033	Screw M6X20 - GB/T70.1	2
58	KX0003	Handle	2
59	C22A030001	Limit pin	2
60	0201051	Screw M10X45 - GB5782	6
61	C33B300201	Slider frame	1
62	C33A300004	Slider	8
63	C33A350100	Pneumatic unit casing	1
64	0306252	Selector	1
65	C33A350001	Protection	1
66	0203002	Nut M4 - GB52	2
67	0205002	Washer D.4 - GB/T97.1	2
68	0306249	Pushbutton valve	1
69	0201002	Screw M4X25 - GB/T5780	4
70	0306085	Quick union 8-M16X1	1
71	0204003	Self-locking nut M6 - GB/T889.1	2
72	C33A300008	Inflator holder	1
73	0511124	Tire valve pin M8	1
74	0206048	Screw M6X16 - GB/T70.2	2
75	0306005	Inflator	1
76	0306035	90 degree quick union 4-1/8	5
77	0306253	Air valve five-way	1
78	0306033	90 degree quick union 8-1/8	3
79	0306087	Silencer 1/8	6
80	0306165	Reducer quick union 6-4	1
81	0206050	Screw M6X10 - GB/T70.2	4

TAV.5.0	BEAD BREAKER ARMS	ED. 08/14
---------	-------------------	-----------

82	C33A350002	Casing cover	1
83	0306028	Reducer union five-way 8-6	1
84	0306114	Quick union 4	1
85	0306254	Control valve five-way	2
86	0306036	90 degree quick union 6-1/8	5
87	3006250	Air valve	1
88	0202045	Screw M8X20 - GB/T70.1	2
89	C00AQ32003	Cylinder shaft	1
90	0311001	Scraper 33X25X4.5/6	1
91	C00AQ32200	Cylinder flange	1
92	0606086	O-ring 25X2.65	1
93	0305007	Guiding ring 25X10X2.5	2
94	C00AQ32004	Cylinder liner 125X670	1
95	C00AQ32005	Stud	4
96	C00AQ32002	Washer	1
97	C00AQ32006	Piston	1
98	C00AQ32001	Washer	1
99	0201078	Screw M12X25 - GB/T5783	1
100	0309090	O-ring 125X3.1	2
101	C00AQ32100	Cylinder back flange	1
102	0306137	90 degree quick union 8-1/8	2
103	0306046	Quick union 6-1/8	1
104	YC1-3015024A	Cylinder flange	1
105	0211004	Seeger D.30 - GB/T893.1	2
106	0606016	Scraper 20X30X7	2
107	YC1-4398146	Washer	2
108	0309020	O-ring 20X2.75	2

109	C00AQ31004	Stud M8X470	4
110	C00AQ31006	Short cylinder shaft	1
111	0204025	Flange nut M8	8
112	C00AQ310003	Short cylinder liner	1
113	C00AQ31001	Cylinder back flange	1
114	0606007	O-ring 75X3.55	4
115	YC1-4198856	Piston	2
116	C00AQ31002	Cylinder liner	1
117	C00AQ31005	Cylinder shaft	1

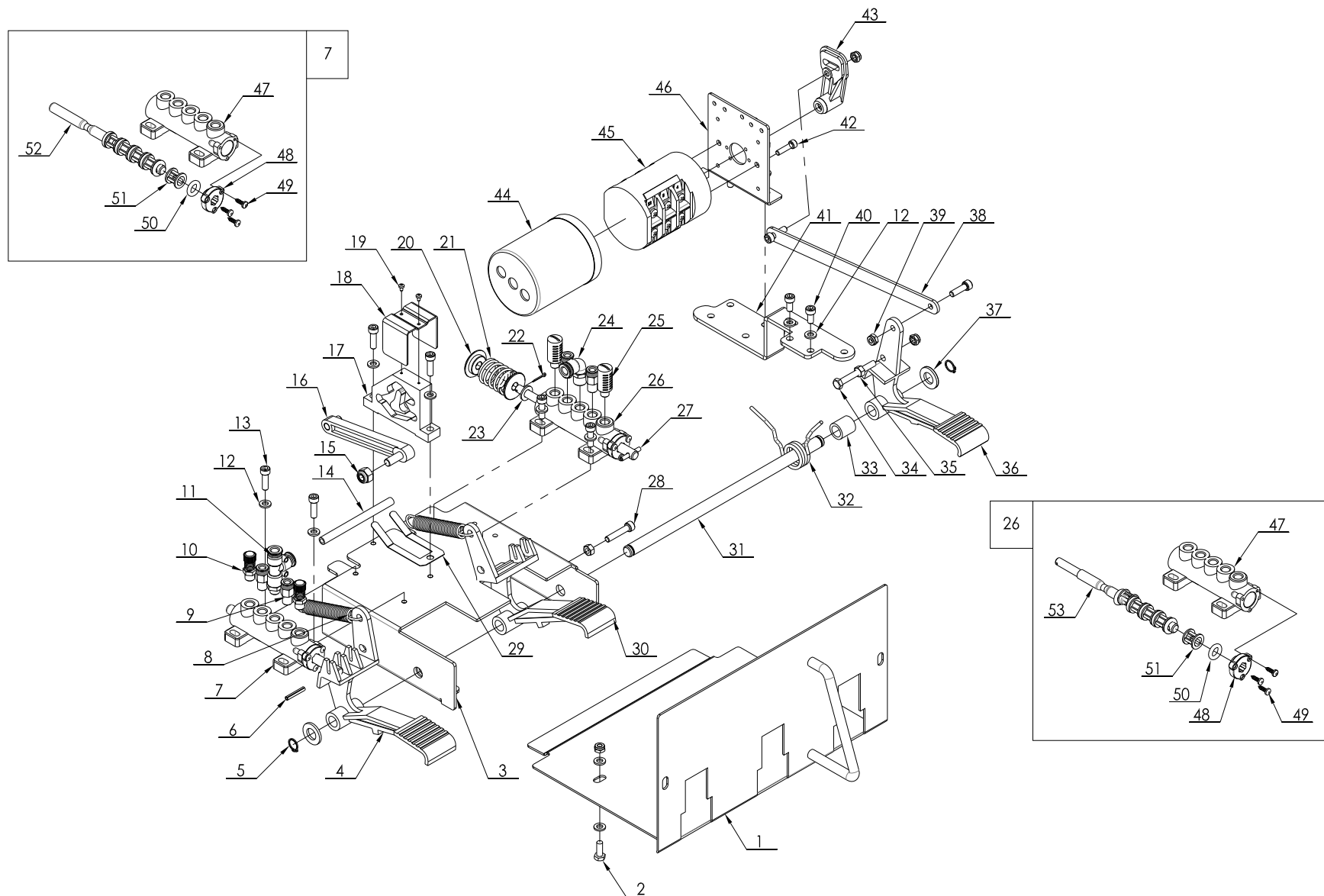


TAV.6.0	PRESS ARM	ED. 08/14
---------	-----------	-----------

ITEM	PART NUMBER	DESCRIPTION	QTY	REMARK
1	C33C400100	Press arm post	1	
2	C33A300004	Slider	8	
3	C33A400201	Slider frame	1	
4	0205011	Washer D.10 - GB/T97.1	6	
5	0209036	Screw M10X20 - GB/T77	4	
6	0204012	Nut M10 - GB/T6172.1	4	
7	0204005	Self-locking nut M10 - GB/T889.1	6	
8	0201050	Screw M10X35 - GB/T5783	6	
9	C33C400200	Carriage	1	
10	0209022	Screw M10X30 - GB/T77	2	
11	YC2-3000495	Washer	1	
12	YCP-3006886	Press disk	1	
13	YCH-3006862	Disk pin	1	
14	C33C400400	Disk arm	1	
15	0201078	Screw M10X20 - GB/T5783	1	
16	C00AQ38000	Press arm cylinder unit	1	
17	0202045	Screw M8X20 - GB/T70.1	1	
18	0205009	Washer D.8 - GB/T96	1	
19	YCP-3008404	Bead press tool	1	
20	YCP-2408983	Arm 3	1	
21	C33A400300	Arm 2	1	
22	YCP-3009088	Washer	2	
23	YCH-2012683	Handle	2	
24	0204007	Self-locking nut M12 - GB/T889.1	3	
25	0201121	Screw M12X55 - GB/T5782	2	
26	YCP-2415062	Arm 3 slider	1	
27	0202030	Screw M6X10 - GB/T70.1	1	

TAV.6.0	PRESS ARM	ED. 08/14
---------	-----------	-----------

28	0306036	90 degree quick union 6-1/8	3
29	0306175	Control valve 1/8	1
30	0306013	Silencer 1/8	2
31	0202012	Screw M4X30 - GB/T70.1	2
32	HP-3015642	Valve cover	1
33	0207023	Screw M10X20 - GB/T70.3	1
34	C33C400500	Arm 1	1
35	0204027	Self-locking nut M20 - GB/T889.1	2
36	0204016	Nut M12 - GB/T6172.1	2
37	0201161	Screw M20X120 - GB/T5782	2
38	0205024	Washer D.20 - GB/T96	4
39	C22A030001	Limit pin	2
40	0306046	Quick union 6-1/8	1
41	0305041	Guiding ring 9.5X2	2
42	0204025	Nut M8 - GB/T6177.1	4
43	C00AQ35002	Cylinder flange	1
44	C00AQ35009	Seal 20X30X7	1
45	C00AQ35008	Spacer	1
46	YCH-3006649	Cylinder shaft	1
47	C00AQ36001	Cylinder liner	1
48	C00AQ35003	Piston	1
49	0205013	Washer D.12 - GB/T97.1	1
50	YCH-3008334	Stud	4
51	0306138	90 degree quick union 6-1/8	1
52	C00AQ35001	Cylinder back flange	1
53	0309076	O-ring 90X3.1	2



TAV.7.1

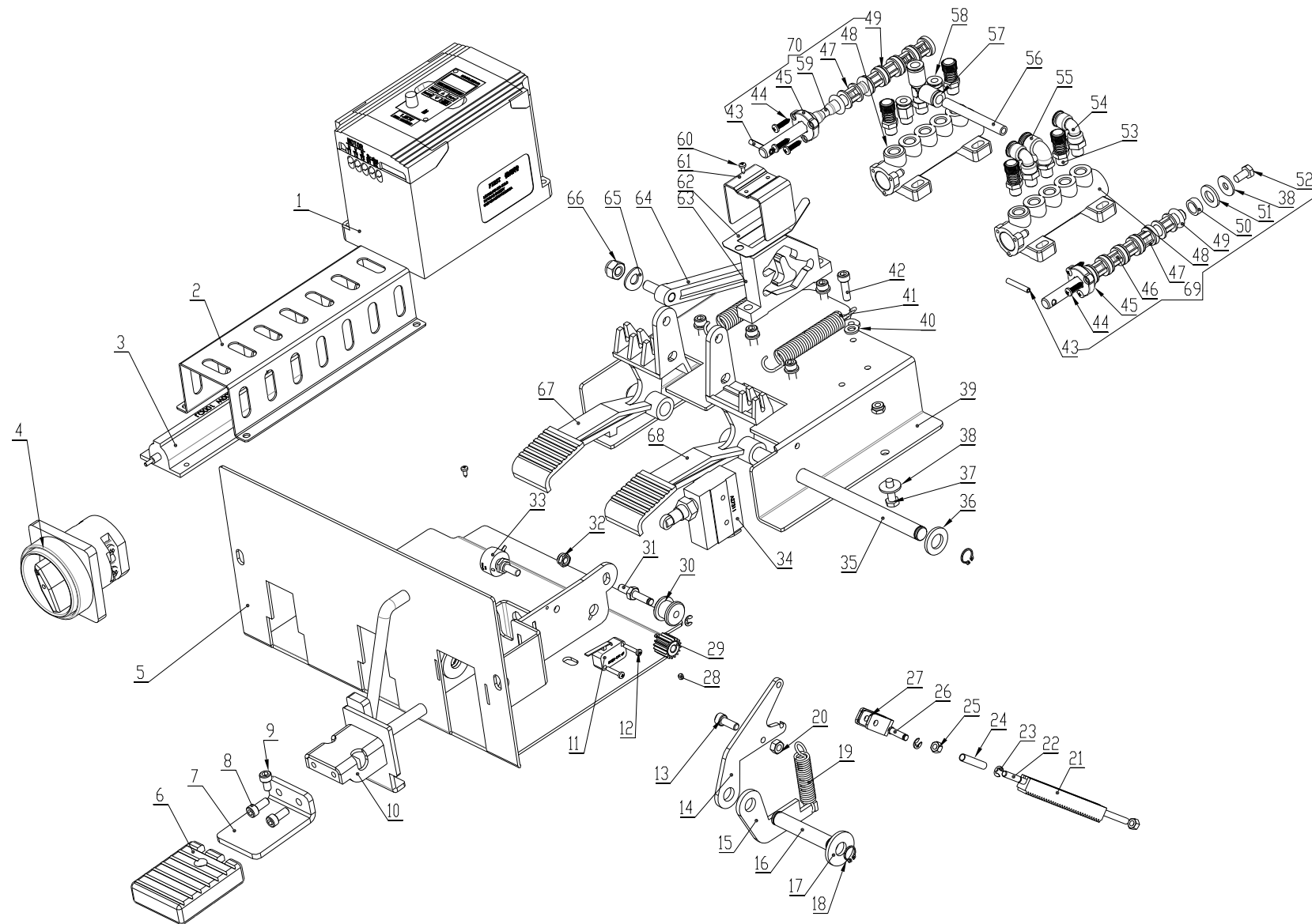
PEDAL BOX

ED. 08/14

ITEM	PART NUMBER	DESCRIPTION	QTY	REMARK
1	C33A820100	Pedal support	1	
2	0201013	Screw M6X16 - GB/T5783	2	
3	C33A820101	Pedal box base	1	
4	YC2-3002160	Pedal C	1	
5	0212001	Seeger D.12 - GB/T894.1	2	
6	0213003	Elastic pin 4X20 - GB879.1	1	
7	YC2-2002531	Tilting valve unit	1	
8	YC1-3013333	Pedal return pin	2	
9	0306141	Quick rotation union 6-1/8	4	
10	0306013	Silence outlet adjuster 1/8	2	
11	0306021	Tee quick union 8-1/8	1	
12	0205006	Washer D.6 - GB/T97.1	17	
13	0202033	Screw M6X20 - GB/T70.1	10	
14	0306097	Rilsan hose 8X5 L=70	1	
15	0204004	Self-locking nut M8 - GB/T889.1	1	
16	YC1-4299912	Connection rod	1	
17	YC1-4299913	Double cam	1	
18	YC1-3099910	Connection rod guide	1	
19	0207034	Self-tapping screw ST2.9X6.5 - GB/T845	2	
20	C33A821002	Spring limiter	2	
21	C33A821003	Spring	1	
22	0213055	Elastic pin 1.6X12 - GB/T91	1	
23	0205008	Washer D.8 - GB/T97.1	1	
24	0306032	90 degree quick union 8-1/4	1	
25	0306059	Silencer 1/8	2	
26	C33A821100	Wheel lift valve unit	1	
27	0213003	Elastic pin 4X26	1	

TAV.7.1	PEDAL BOX	ED. 08/14
---------	-----------	-----------

28	0202026	Screw M6X30 - GB/T70.1	1
29	YC2-4299910	Forked leaf spring	1
30	YC1-3002159	Pedal B	1
31	YC1-3003094	Pedal alignment pin	1
32	YC1-3000142	Pedal control spring	1
33	YC1-3007953	Bush	1
34	0201127	Screw M6X50 - GB/T5780	1
35	0203004	Nut M6 - GB/T52	2
36	YC1-3002157	Pedal A	1
37	0205013	Washer D.12 - GB/T97.1	3
38	YC1-3015341	Connection rod	1
39	0204003	Self-locking nut M6 - GB/T889.1	7
40	0202024	Screw M6X12 - GB/T70.1	2
41	C33A8200005	Support	1
42	0202021	Screw M5X20 - GB/T70.1	2
43	YC1-3000175	Reverser lever	1
44	YC1-3015341	Reverser cover	1
45	0505009	Reverser 40A	1
46	YC1-3015340	Reverser support	1
47	YC1-3001583	Valve body	1
48	YC1-3001585	Valve flange	1
49	0207058	Self-tapping screw ST3.5X16	3
50	YC1-4299000	O-ring 17X4	6
51	YC1-3001584	Valve spacer	5
52	YC1-3002442	Valve pin 1	1
53	YC1-3007598	Valve pin 3	1



TAV.7.2	PEDAL BOX – VARIABLE SPEED VERSION	ED. 08/14
---------	------------------------------------	-----------

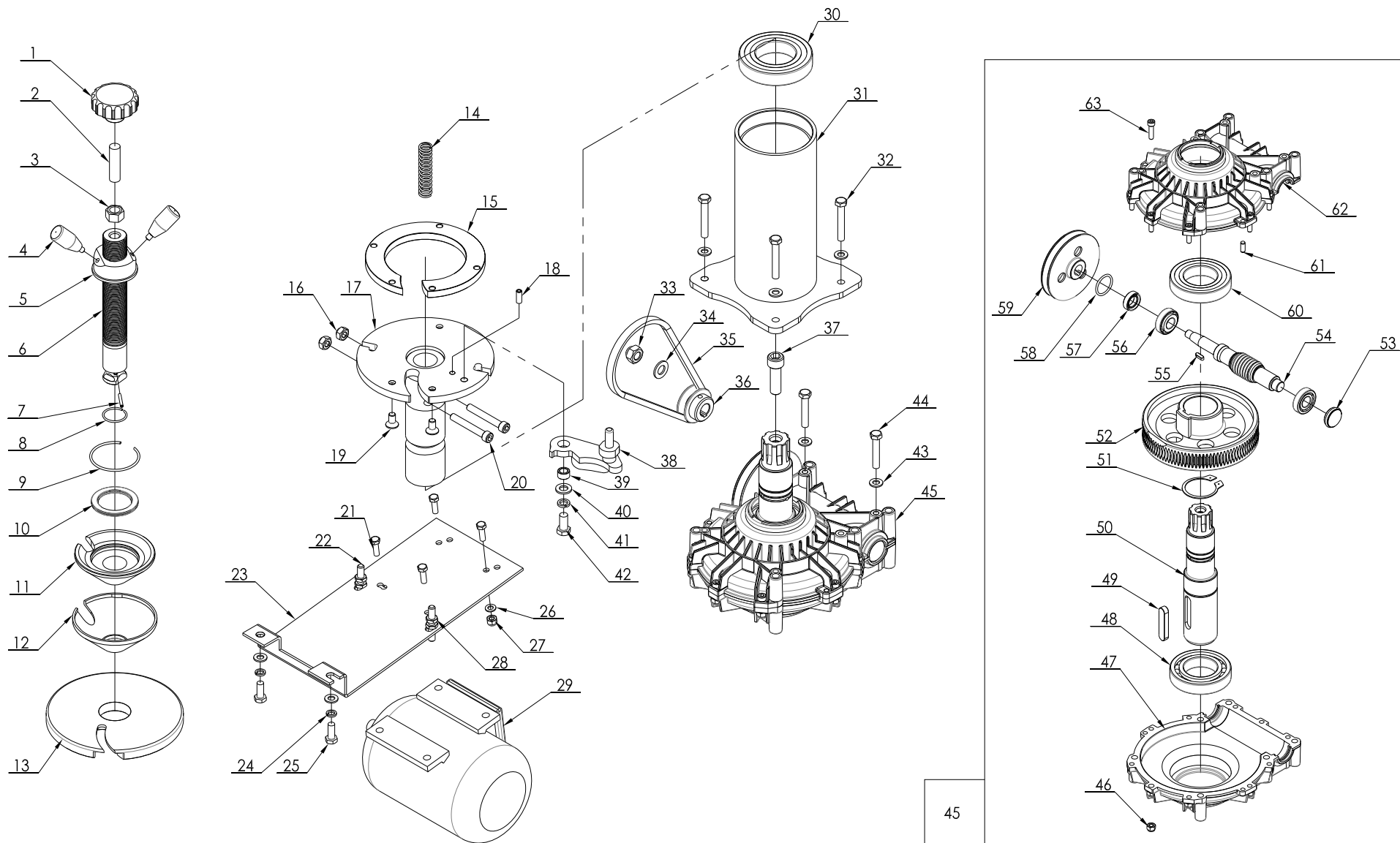
ITEM	PART NUMBER	DESCRIPTION	QTY	REMARK
1	0501063	Motor inverter 220V/1PH-1.5KW	1	
2	C23A820003	Resistance protection	1	
3	0508316	Brake resistance 200WX100Ω	1	
4	0505006	Power switch 20A	1	
5	C33B820100	Pedal support	1	
6	C108050004A	Pedal protection	1	
7	C108050002A	Speed control pedal	1	
8	0201025	Screw M6X14 - GB/T70.1	2	
9	0202030	Screw M6X10 - GB/T70.1	1	
10	C23A820200	Pedal support	1	
11	0505014	Micro switch AV163/IC25C	1	
12	0206002	Screw M3X16 - GB/T818	2	
13	0202032	Screw M6X16 - GB/T70.1	1	
14	C108050005A	Upper lever	1	
15	C108050006A	Lower lever	1	
16	C108050001A	Pivot	1	
17	C108050003A	Washer	2	
18	0212001	Seeger D.12 - GB/T894.1	4	
19	C108050015A	Spring	1	
20	0203004	Nut M6 - GB52	1	
21	C108050011A	Toothed rack	1	
22	C108050010A	Connection rod	1	
23	0211001	Seeger D.4 - GB896	3	
24	0306097	Rilsan pipe 8X5 L=30	1	
25	0203003	Nut M5 - GB52	2	
26	C108050008A	Pin	1	
27	C108050009A	Connection bracket	1	

TAV.7.2	PEDAL BOX – VARIABLE SPEED VERSION	ED. 08/14
---------	------------------------------------	-----------

28	0209058	Screw M4X4 - GB/T80	1
29	C108050014A	Gear	1
30	C108050012A	Guide roller	1
31	C108050013A	Roller pin	1
32	0204003	Self-locking nut M6 - GB/T889.1	3
33	0508002	Potentiometer 1W/10K	1
34	0505017	Limit switch 7311	1
35	C33B821001	Pedal alignment pin	1
36	0205013	Washer D.12 - GB/T97	1
37	0201014	Screw M6X20 - GB/T5783	2
38	0205007	Washer D.6 - GB/T96	3
39	C33A821001A	Pedal box base	1
40	0205006	Washer D.6 - GB/T97.1	6
41	YC1-3013333	Pedal return pin	2
42	0202033	Screw M6X20 - GB/T70.1	6
43	0213003	Elastic pin 4X25	2
44	0207058	Self-tapping screw ST3.5X16	6
45	YC1-3001585	Valve flange	2
46	YC1-3007598	Valve pin 3	1
47	YC1-3001584	Spacer	10
48	YC1-3001583	Valve body	2
49	YC1-4299000	O-ring	12
50	YC1-4197629	Nylon washer	1
51	0205017	Washer D.10 - GB/T97.1	1
52	0201011	Screw M6X12 - GB/T5783	1
53	0306013	Silencer outlet adjuster 1/8	4
54	0306040	90 degree quick union 6-1/8	2

TAV.7.2	PEDAL BOX – VARIABLE SPEED VERSION	ED. 08/14
---------	------------------------------------	-----------

55	0306033	90° quick union 8-1/8	1
56	0306097	Rilsan hose 8X5 L=70	1
57	0306136	Quick T union 8-1/8	1
58	0306046	Quick union 6-1/8	2
59	YC1-3002442	Valve pin 1	1
60	0207034	Self-tapping screw ST3X8	2
61	YC1-3099910	Connection rod guide	1
62	YC2-4299910	Fork leaf spring	1
63	YC1-4299913	Double cam	1
64	YC1-4299912	Connection rod	1
65	0208014	Curved washer D.8 - GB/T955	1
66	0204004	Self-locking nut M8 - GB/T889.1	1
67	YC2-3002160	Pedal C	1
68	YC1-3002159	Pedal B	2
69	C33A821100	Wheel lift valve unit	1
70	YC2-2002531	Tilting valve unit	1



45

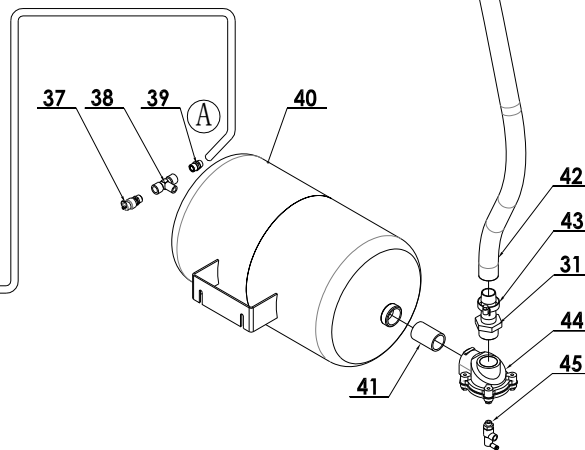
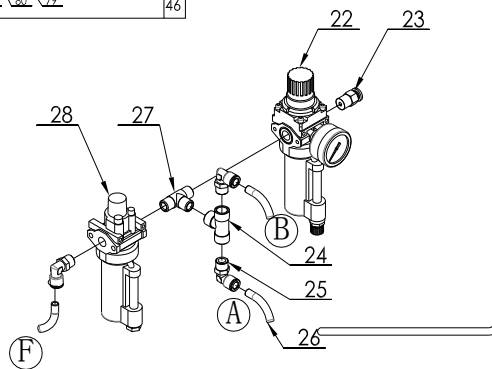
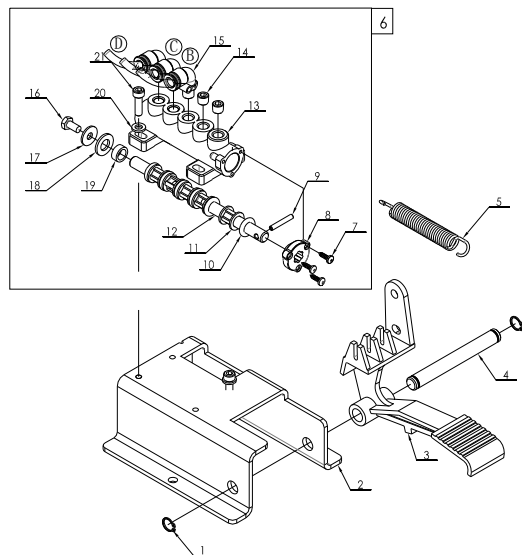
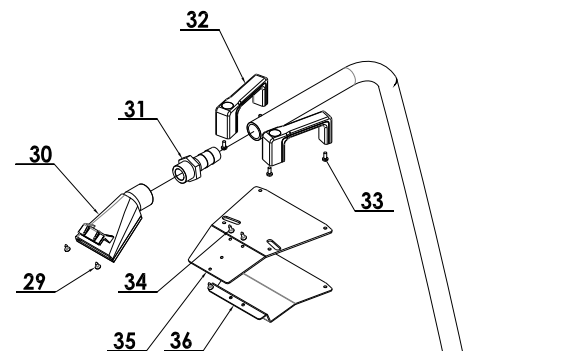
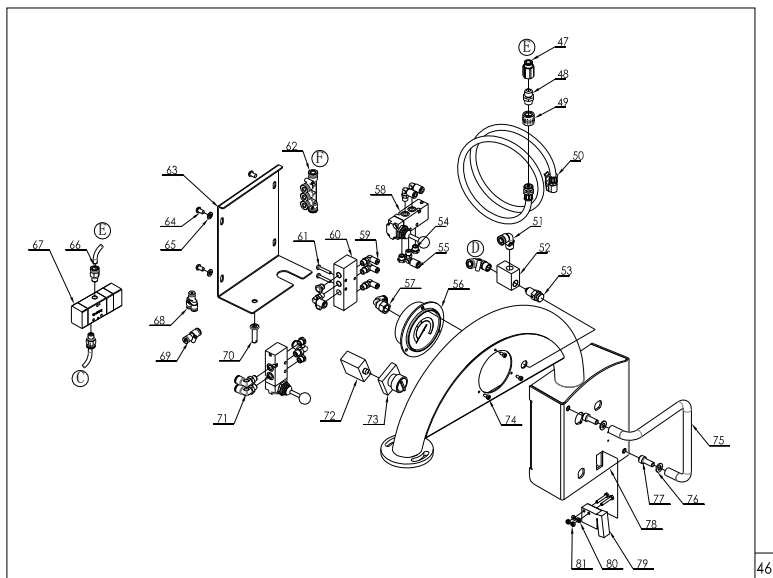
TAV.8.0	TURNTABLE + REDUCTION GEAR GROUP	ED. 08/14
---------	----------------------------------	-----------

ITEM	PART NUMBER	DESCRIPTION	QTY	REMARK
1	YC1-3000487	Knob	1	
2	0213047	Screw M16X60 - GB/T15389	1	
3	0203017	Nut M16 - GB52	1	
4	C33A540005	Handle	2	
5	C33A540004	Quick locking nut	1	
6	C33A540001	Screw	1	
7	0213003	Elastic pin 4X25 - GB/T879.1	1	
8	0211020	Seeger D.35 - GB/T895.2	1	
9	C33A540006	Spring	1	
10	0214042	Bearing 5070	1	
11	C33A540002	Cone	1	
12	C33A540003	Cone protection	1	
13	C33A500002	Turntable protection	1	
14	C33A500003	Spring	1	
15	C33A500001	Turntable flange	1	
16	0204005	Self-locking nut M10 - GB/T889.1	2	
17	C33A520000	Turntable	1	
18	0213103	Elastic pin 8X20 - GB/T879.1	1	
19	0207023	Screw M10X20 - GB/T70.3	3	
20	0202057	Screw M10X70 - GB/T70.1	2	
21	0201038	Screw M8X25 - GB/T5783	4	
22	0209055	Screw M10X60 - GB/T77/	2	
23	C33A600001	Motor support	1	
24	0208007	Locking washer D.10 - GB/T93	2	
25	0201064	Screw M10X25 - GB/T5783	2	
26	0205008	Washer D.8	4	
27	0204004	Self-locking nut M8 - GB/T889.1	4	

TAV.8.0	TURNTABLE + REDUCTION GEAR GROUP	ED. 08/14
---------	----------------------------------	-----------

28	0204012	Nut M10 - GB/T6172.1	4
29	0509097	Motor 110V/60HZ/1PH 1.1KW	1
30	0214006	Bearing 6212-2RS	1
31	C33A510000	Support	1
32	0201184	Screw M10X65 - GB/T5782	4
33	0204006	Self-locking nut M14 - GB/T889.1	1
34	0205017	Washer D.14	1
35	0511052	Belt A580	1
36	YC1-3000166	Motor pulley	1
37	0202113	Screw M16X1.5X50 - GB/T70.1	1
38	C33A530000	Driving pin	1
39	C33A500004	Bush	1
40	0205013	Washer D.12	1
41	0208009	Locking washer D.12 - GB/T93	1
42	0201078	Screw M12X25 - GB/T5783	1
43	0205011	Washer D.10 - GB/T97.1	8
44	0201055	Screw M10X55 - GB/T5782	2
45	YC1-2011967	Reduction gear unit	1
46	0204004	Self-locking nut M8 - GB/T889.1	10
47	YC1-3010873	Bottom gear box	1
48	0214005	Bearing 6212	1
49	0213027	Tab 16X70 - GB1096	1
50	YC1-3010885	Helical gear stud	1
51	0212010	Seeger D.60	1
52	YC1-3015537	Helical gear	1
53	YC1-3010886	Seal cap	1
54	YC1-3010883	Worm	1

55	0213028	Tab 6X18 - GB/T1096	1
56	0214007	Gear 30204	2
57	YC1-4296942	Seal	1
58	0309083	O-ring 34.5X3.55	1
59	YC1-3199596	Gear box pulley	1
60	0214006	Bearing 6212-2RS	1
61	0213011	Elastic pin 8X20 - GB/T119.1	2
62	YC1-3010872	Upper gear box	1
63	0202049	Screw M8X30 - GB/T70.1	10



TAV.9.0	GT PNEUMATIC UNIT	ED. 08/14
---------	-------------------	-----------

ITEM	PART NUMBER	DESCRIPTION	QTY	REMARK
1	0212001	Seeger D.12 - GB/T894.1	2	
2	C33A810001	Valve support	1	
3	YC2-3002160	Pedal C	1	
4	C33A810002	Pedal alignment pin	1	
5	YC1-3013333	Spring	1	
6	C33A811000	GT pedal valve unit	1	
7	0207032	Self-tapping screw ST3.5X13 - GB845	3	
8	YC1-3001585	Valve flange	1	
9	0213084	Elastic pin 4X25 - GB/T879.1	1	
10	YC1-4299000	O-ring 17X4	6	
11	YC1-3001584	Valve spacer	5	
12	YC1-3007598	Valve pin 3	1	
13	YC1-3001583	Valve body	1	
14	0305014	Plug Z1/8	2	
15	0306033	90 degree quick union 8-1/8	3	
16	0201011	Screw M6X12 - GB/T5783	1	
17	0205007	Washer D.6 - GB/T96	1	
18	0205011	Washer D.10 - GB/T97.1	1	
19	YC1-4197629	Bush	1	
20	0205006	Washer D.6 - GB/T97.1	2	
21	0202033	Screw M6X20 - GB/T70.1	2	
22	0307065-2	Filter regulator NFR-200	1	
23	0306144	Quick union 8-1/4	1	
24	0306075	Tee union 1/4 female	1	
25	0306037	90 degree quick union 8-1/4	3	
26	0306096	Rilsan hose 8X6 L=1600	3	
27	0306077	Tee union 1/4	1	

TAV.9.0	GT PNEUMATIC UNIT	ED. 08/14
---------	-------------------	-----------

28	0307065-1	Lubricator NL-200	1
29	0207035	Self-tapping screw ST4.2X13	4
30	C108040200	GT nozzle	1
31	0306134	Pagoda union 1"	2
32	0306202	Control valve 234-885	2
33	0206041	Screw M5X12 - GB/T818	4
34	0207055	Self-tapping screw ST4.2X16	2
35	C108040001	GT nozzle support	1
36	C108040002	GT hose protection	1
37	0306106	Safety valve 1/8 5.5bar	1
38	0306077	Tee union 1/4	1
39	0306197	Rotation union 8-1/4	1
40	C108040100	Air tank 18L	1
41	0511133	Nipple 1"X50	1
42	C108040300	GT pipe	1
43	0511020	Pipe clamp	1
44	0306197	GT pneumatic valve	1
45	0306204	One-way valve 1/8	1
46	C33E350000	GT pneumatic unit	1
47	0306050	Quick union 8-1/4 female	1
48	0306156	Union 1/4	1
49	0306017	Clasp nut 1/4	1
50	0306110	GT control unit hose 1/4 L=1500	1
51	0306032	Quick union 8-1/4	2
52	YC2-3015111A	Three way interface	1
53	YC2-4299354	Relief valve	1
54	0306087	Silencer 1/8	6

TAV.9.0	GT PNEUMATIC UNIT	ED. 08/14
---------	-------------------	-----------

55	0306138	Quick union 6-1/8	4
56	0305058	Pressure gauge 80-1/4	1
57	0306039	90 degree quick union 8-1/4 female	1
58	0306254	Control valve five-way	2
59	0306139	90 degree quick union 4-1/8	3
60	0306253	Air valve five-way	1
61	0201002	Screw M4X25 - GB/T578	4
62	0306028	Reducer union five-way 8-6	1
63	C33D350001	Back cover	1
64	0206050	Screw M6X10 - GB/T70.2	4
65	0205006	Washer D.6 - GB/T97.1	4
66	0306142	90 degree quick union 8-1/8	2
67	0306203	Inflating valve	1
68	0306114	Tee quick union 4	1
69	0306165	Reducer quick union 6-4	1
70	0511124	Tire valve pin M8	1
71	0306137	90 degree quick union 8-1/8	3
72	0306250	Air valve	1
73	0306252	Selector	1
74	0202008	Screw M4X8 - GB/T70.1	3
75	C33C350001	Handle	1
76	0205008	Washer D.8 - GB97.1	2
77	0202045	Screw M8X20 - GB/T70.1	2
78	C33B350100	Control box	1
79	0306249	Pushbutton valve	1
80	0205002	Washer D.4 - GB/T97.1	2
81	0203002	Nut M4 - GB52	2

